

LiKang Front inserting coin acceptor

LK400M+ manual V3.31

Product Features

1. Suitable for various of metal coins;
2. CPU process control, score accurately;
3. Special precise/normal stall, coin smoother;
4. Powerful prevent phishing and other means of cheating, with cheating alarm;
5. Excellent technology in circuit part, stable and reliable quality;
6. Open cover design, completely solve the coins jamming and blocking;

Steps for usage

1. Adjust the metal piece on the rear of panel to prevent too large coins. (This metal piece is optional);
2. Take out the plastic coin from the slot, put your coin in;
3. According to machine's motherboard, select the output mode NC (normally close)/NO (normally open). Usually use NC stall
4. According to machine's motherboard, select the output pulse switch (25ms/50ms/100ms, usually use 25ms) ; ;
5. According to your coin, select the sensitivity. If you require a high accuracy, adjust it to "precision". If some true coins were misjudged as false coins, adjust it to "normal";
6. Install coin acceptor, it can be used after connecting power and signal wires.

Step①:

Adjust the metal piece to prevent too large coins.

Adjustment method: Loosen the screws, slide metal sheet vertically to the appropriate location. Down through, the coin diameter is smaller; upward through, the coin diameter is larger. Transfer to the appropriate position, and then tighten the screws. (This metal part is optional)

A

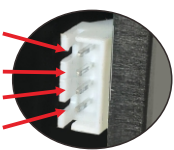


B Step②: Pull up, remove the red example coin, then put your reference coin.

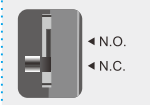
C Adjust the sensitivity slightly, the factory has adjusted to a reasonable position.



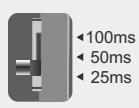
D Code table(gray)
Power 12V(red)
Signal output(white)
Power Ground(black)
Code table(gray)



E Step③: Set SW1 output mode, select NC/NO, the factory setting is NC.



F Step④: Set SW2, select the output pulse switch (25 ms/50ms/100 ms), the factory setting is 25ms.



G Step⑤: Set SW3, sensitivity switch, select precise/ normal, the factory setting is normal.



H Mounting holes: With a square neck screw diameter of 4mm

I Coin slot: Please use the coins $\phi 20\text{mm} \sim \phi 29\text{mm}$, the thickness of the coins is 1.2mm~2.4mm.

J Coin bar: When a larger diameter coin or a foreign body stuck, flip the level to exit the foreign coin.

K Coin mouth: False coin/foreign body from here to exit.

4 pin connector wire can be option

Communication circuit

Coin detected "real coin", when the circuit gives a pulse signal (the pulse signal can be selected by the switch SW1, normally closed or normally open output; SW2 switch to select pulse width, see Figure 1)

The circuit output of this product is a triode collector or MOS tube drain open output, When it is used, users are advised to use optocouplers to receive signals when designing the interface circuit (see Figure 2).

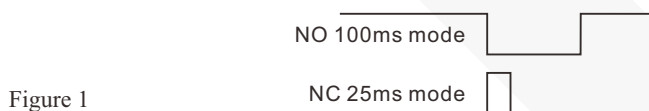


Figure 1

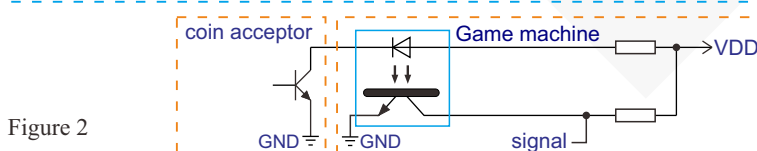
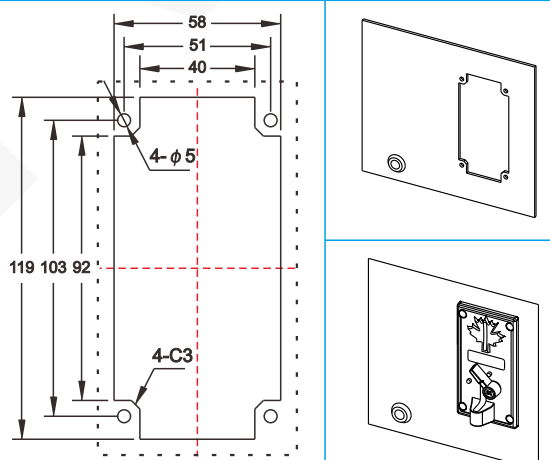


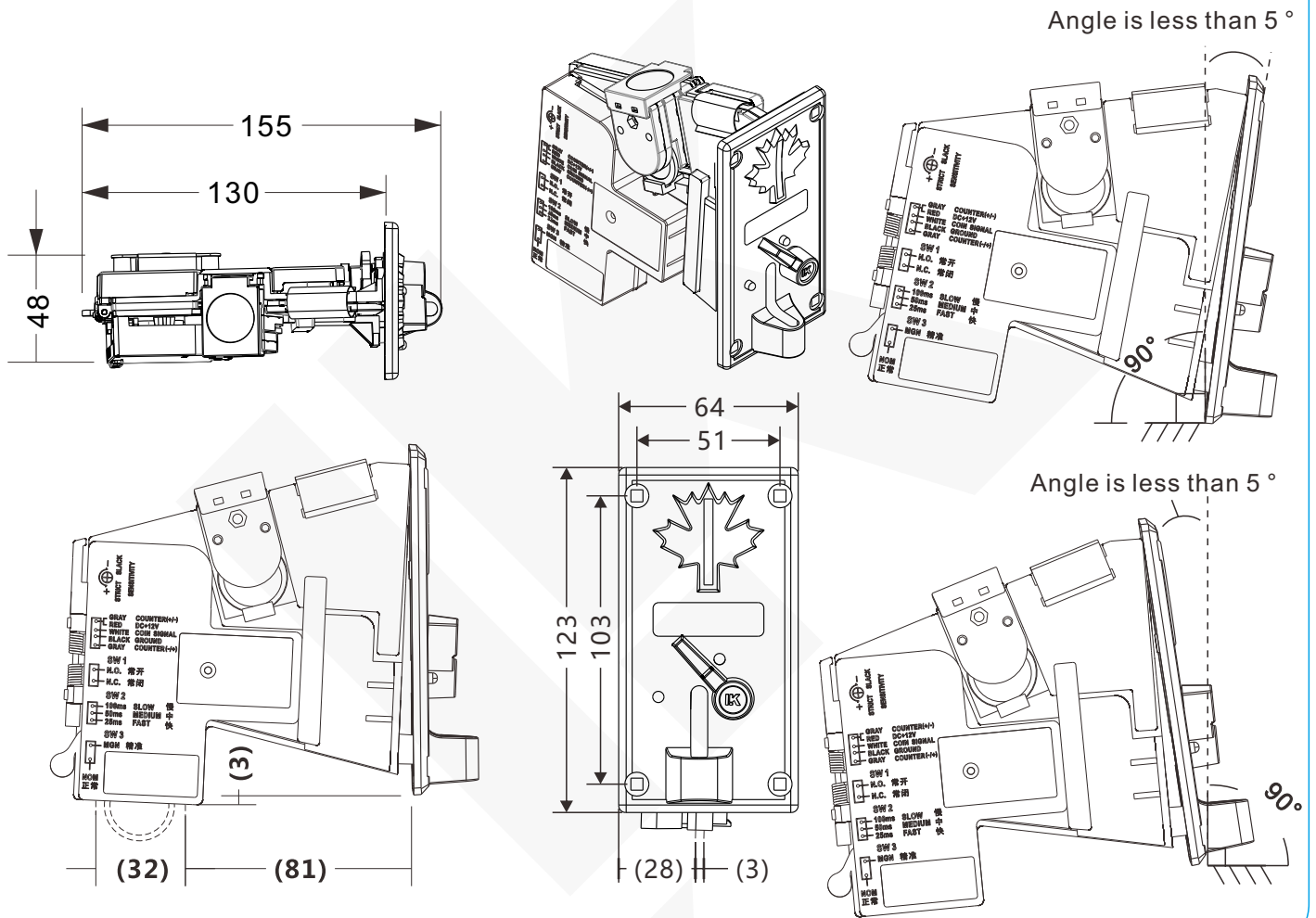
Figure 2

The size diagram and effect diagram Unit:mm



Product Size Unit: mm

Note: Band () is the relative size of the coin slot



Common abnormalities handling

A. Coin not passed

- 1.If there is poor contact in the coin power outlet;
- 2.If the wiring is correct;
- 3.If there is a foreign body in the coin track;
- 4.If power supply 12V is normal;
- 5.If the out mouth of coin is smooth;
- 6.If prototype is fit correctly;
- 7.If mounting depth is enough;
- 8.If there is a foreign body in the coin track, such as electric eye position is blocked.

B. Coin not score

- 1.If SW1 NO/NC is set matched;
- 2.If SW2 plus width is matched;
- 3.If the signal is connected well,if connection method is correct;
- 4.Coin signal and open collector output,if the target board is connected with pull-up resistor.

C. Coin not smooth

- 1.Adjust precise switch, precision stall:more stringent selection, commonly normal stall;
- 2.If prototype is fit correctly;
- 3.If coin slot is smooth,such as hopper tank depositing port and slot machine outlet slot are aligned;
- 4.Adjust VR knob,clockwise screening more relaxed, counterclockwise more strict.

D. Accept false coin

- 1.Adjust precise switch to precision stall;
- 2.Counterclockwise adjust VR knob(counterclockwise more strict)

E. Code mode doesn't move

- 1.If the wiring is correct(An end of the code table is connected with code table line , the other end of DC+12V);
- 2.If the code mode is bad;
- 3.Cable resistance is too large, resulting in power is below standard;
- 4.The power supply voltage and rated voltage code table required are the consistent.

Basic parameters

Operating voltage	DC12V±10%		
Standby currenry	< 50mA		
Operating currenry (Maximum current)	< 650mA		
Operating temperature	-15°C~65°C		
Output mode	OC.		
Output signal	25ms/50ms/100ms		
Coin diameter	20~29mm		
Coin thickness	1.2~2.4mm		
Angle assembly	-5°~5°		
Individual packaging	Meas	161*69*131mm	
	Gross weight	Without wire	413g
		With wire	421g
Carton packaging	Package	30PCS/SET	
	Meas	51*37*28cm	
	Gross weight	Without wire	13.21KG
		With wire	13.47KG

Assemble requirements

To prevent interference from adjacent signals, the adjacent mounting distance should be greater than 15mm.

